

75-inch Class 4K UHD LCD Display

TH-75EQ1W

TENTATIVE

Product specification (design and specification subject to change without notice)

■ DISPLAY PANEL

| | |
|---------------------------------------|-----------------------------|
| Screen Size (Diagonal) | 74.5-inch (1892 mm) |
| Panel type / Backlight | IPS / Edge-LED |
| Aspect ratio | 16:9 |
| Effective Display Area (W x H) | 1649 x 927 mm |
| Resolution (H x V) | 3840 x 2160 |
| Brightness | 350 cd/m ² (Typ) |
| Contrast Ratio | 1200:1 (Typ) |
| Dynamic Contrast Ratio | (T.B.D.) |
| Response Time | 8.0 ms (Typ) (G to G) |
| Viewing Angle (Horizontal / Vertical) | 178° / 178° (CR≥10) |
| Panel Life Time*1 | (T.B.D.) |

*1 When the panel lifetime is at 50% of the brightness under the condition of 25 degrees Celsius (+/- 2 degrees Celsius).

■ CONNECTION TERMINAL

| | | |
|-------------|----------------------------------------------------------------------------------------------------|---------------------------------------------------------------------------------------------------------------------------------------------------------------------------------------------------------------------------------------------------------------------|
| HDMI IN | HDMI Type A Connector x 2 | Linear PCM (Sampling frequency : 48 kHz/44.1 kHz/32 kHz) |
| VIDEO/AV IN | 4-pole Mini Jack (M3) x 1 Video: 1.0 V [p-p] (75 Ω) Audio: Mini Jack (M3) x 1 / x 1 0.5 V [rms] | |
| DVI-D IN | DVI-D 24-pin x 1 | Compliance with DVI Revision 1.0 Compatible with HDCP 1.1 |
| PC IN | Mini D-Sub 15-pin x 1 (Female) | Y/G : with sync 1.0 V [p-p] (75 Ω) : without sync 0.7 V [p-p] (75 Ω) P _B /C _B /B : without sync 0.7 V [p-p] (75 Ω) P _R /C _R /R : without sync 0.7 V [p-p] (75 Ω) HD/VD : 1.0 - 5.0 V [p-p] (high impedance) |
| SERIAL IN | D-sub 9pin x 1, RS-232C Compatible | |
| AUDIO IN | Stereo Mini Jack (M3) x 1 (Shared with DVI-D IN and PC IN) | 0.5 V [rms] |
| AUDIO OUT | Stereo Mini Jack (M3) x 1 Variable (-∞ - 0 dB) (1 kHz 0 dB Input, 10 kΩ Load) | 0.5 V [rms] |
| LAN | RJ45 x 1 compatible with PLink™ RJ45 10BASE-T/100BASE-TX/1000BASE-T (T.B.D.) | |
| USB | USB Type A Connector x 1, DC 5 V/2A (USB 3.0 is supported) | |

■ AUDIO

| | |
|------------------|------------------|
| Built in Speaker | 20W (10W+10W) 8Ω |
|------------------|------------------|

■ ELECTRICAL

| | |
|------------------------------------|------------------------------|
| Power Requirements | AC 110 - 240 V 50 Hz / 60 Hz |
| Power Consumption | (T.B.D.) |
| On Mode Average Power Consumption* | (T.B.D.) |
| Power Off Condition | approx. 0.3 W |
| Stand-by Condition | approx. 0.5 W |
| Apparent power | (T.B.D.) |

*Based on IEC 62087 Ed.2 measurement method

■ MECHANICAL

| | |
|-------------------------------|-----------------------------------------------------------------------------------|
| Dimension (W x H x D) | 1681 x 959 x 73 mm (not including handles 66 mm) |
| Weight | approx. 55 kg (T.B.D.) |
| Bezel Color | Black |
| Bezel Width | T/R/L/B 14.8 mm |
| Carton Dimensions (W x H x D) | 2059 x 1369 x 361 mm (T.B.D.) |
| Gross Weight | approx. 84 kg (T.B.D.) |
| Cabinet Material | Front: Metal / Back: Metal |
| Pitch for Wall-Hanging | VESA Compliant 600 x 400 mm (Installed by: M6 screws / Screw hole depth (T.B.D.)) |

■ INSTALLATION

| | |
|---------------|-------------------------------------------------------------|
| Orientation | Landscape / Portrait (T.B.D.) : (Rotation: T.B.D.) (T.B.D.) |
| Tilting Angle | (T.B.D.) |

*Please contact your sales representative with regard to the tilt angle before installation.

*When you install the product upright, be sure to make the power lamp of the main body come to the upper side.

■ ENVIRONMENTAL

| | | |
|-----------------------|-------------|-----------------------------------------|
| Operating Environment | Temperature | : 0°C to 40°C*1 |
| | Humidity | : 20% to 80% (No condensation) |
| | Altitude | : 0 to 2800 m*2 |
| Storage Environment | Temperature | : -20°C to 60°C |
| | Humidity | : 20% to 80% (No condensation) (T.B.D.) |

*1 : for up to 1400 m altitude

*2 : Depending on the temperature or humidity conditions, uneven brightness may be observed. This is not a malfunction.

• This unevenness will disappear while applying current continuously. If not, consult the distributor.

MAIN FEATURE

| | |
|---------------------------|---------------------|
| USB Media Player | Yes |
| Failover/Fallback | Yes |
| Data Cloning | Yes |
| Digital Zoom | Yes |
| Power ON Screen Delay | Yes |
| 1:1 Pixel mode | Yes |
| Screen Saver | Yes |
| Power Management | Yes (HDMI/PC/DVI-D) |
| Power save | Yes |
| Button Lock | Yes |
| Remote-control User Level | Yes |
| Input Search | Yes |
| Picture mode | Yes |
| Dynamic contrast | Yes |
| Color enhancement | Yes |
| Refine enhancer | Yes |
| Gradation smoother | Yes |
| Set up timer | Yes |
| AMX D.D. | Yes |
| Crestron Connected™ | Yes |
| WEB Browser control | Yes |
| PJLink | Yes |
| Image settings | Yes |
| Input Detection | Yes |
| HDMI CEC Compatible | Yes |
| Memory Viewer | Yes |
| Playlist Editing Function | Yes |
| Operating Time*1 | 24h / day |

*1 In case of running for a long time, the moving image is recommended to be displayed. If you display a still picture for an extended period, the image retention might remain on the screen. However, image retention can gradually disappear by displaying movie images.

REMOTE CONTROL TRANSMITTER

| | |
|------------------------|----------------------------------|
| Power Requirements | DC 3 V (2 x AAA Size batteries) |
| Operating distance | approx. 7 m* |
| Weight | approx. 63 g including batteries |
| Dimensions (W x H x D) | 48 x 134 x 20 mm |

*When operated directly in front of receptor.

STANDARD (CERTIFICATIONS)

| | |
|-----------------------|--|
| SAFETY REGULATIONS | |
| RADIATION REGULATIONS | |

INCLUDED ACCESSORIES

- Remote Control
- Batteries (AAA size) x 2
- AC cord (approx. 2.0 m)
- CD-ROM / User Manual
- Operating Instruction Book

COMPATIBLE SOFTWARE

| |
|-------------------------------------|
| Multi Monitoring & Control Software |
| CMS Content Management Software |
| Video Wall Manager |

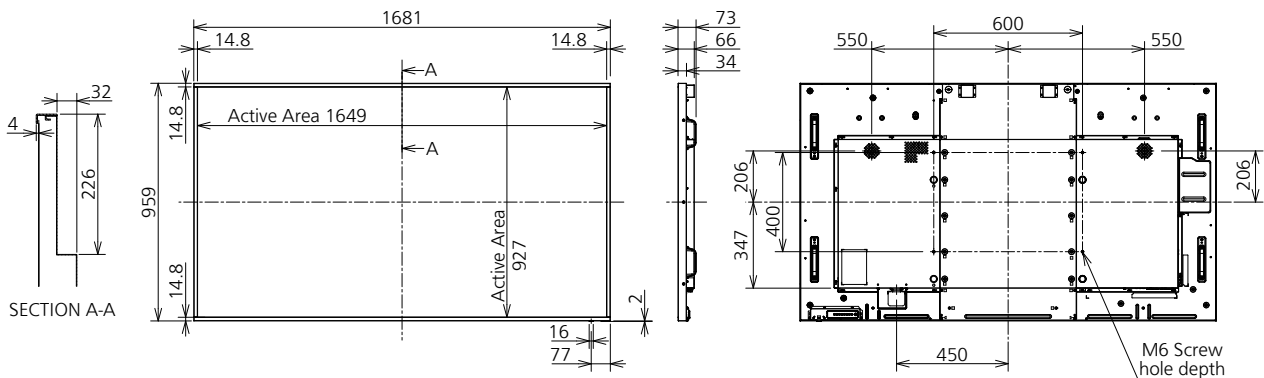
OPTIONAL ACCESSORIES

| | |
|--------------------------------|-----------------------------------------------------------------------------------------|
| Pedestal | TY - ST75PE9 |
| Early Warning Software* | ET-SWA100series |
| Basic license / 3-year license | (Depending on the license type, the symbol at the end of the part number is different.) |

* Multi-Monitoring Control Software Ver 2.0 or later is required.

DIMENSIONS (TENTATIVE)

Cautions: This drawing is not a scale
Units : mm



CONNECTION TERMINAL

(T.B.D.)

* Specifications and appearance are subject to change without notice.